

4

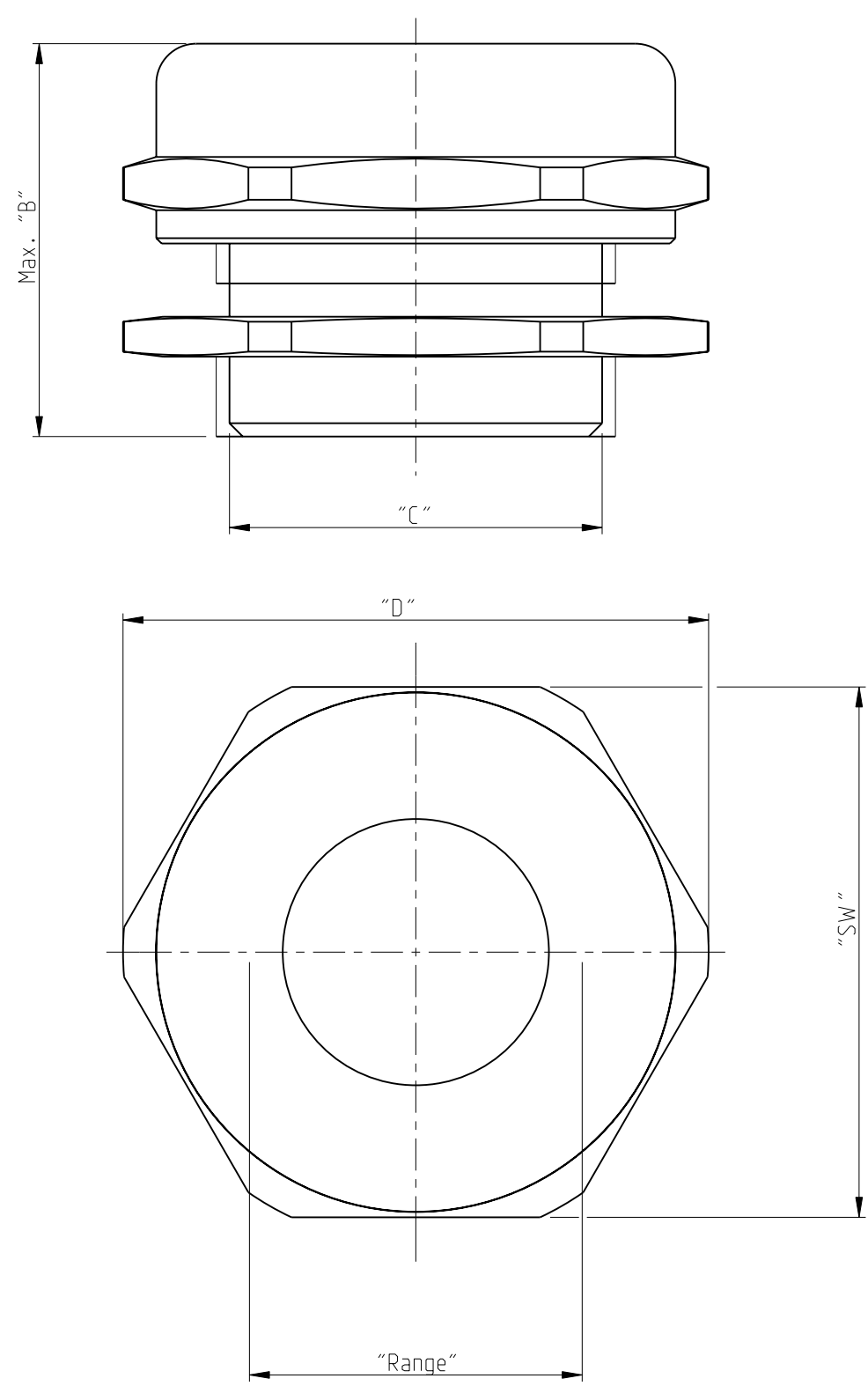
3

2

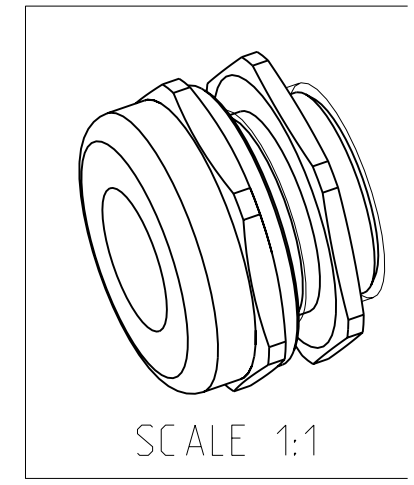
1

THIS DRAWING IS UNPUBLISHED. RELEASED FOR PUBLICATION
 © COPYRIGHT 1997 BY TYCO ELECTRONICS CORPORATION. ALL RIGHTS RESERVED.

LOC	DIST	REVISIONS				
P	LTR	DESCRIPTION	DATE	DWN	APVD	
A1	-					
	A3	Released as per ECR-07-012890	02-07-07	SK	TS	



- NOTES
- PARTS SHELL BE FREE AND CLEAN OF BURRS AND OTHER FOREIGN MATERIAL
 - MATERIALS
 BASE HOUSING & PRESSURE SCREW: BRASS, NICKEL PLATED
 SEALINGS: NBR, INSERT: PA
 - PACKAGING
 QUANTITY: 10 PIECES



1-9	HUT.11.MS	5-10	23.5	PG11	22.2	20
2-9	HUT.13.MS	6-12	25	PG13.5	24.4	22
3-9	HUT.16.MS	10-14	25	PG16	26.7	24
4-9	HUT.21.MS	13-18	27	PG21	33.5	30
5-9	HUT.29.MS	18-25	31	PG29	44	40
6-9	HUT.36.MS	24-32	36	PG36	54	50
7-9	HUT.42.MS	30-38	39	PG42	61	57
8-9	HUT.48.MS	34-44	42	PG48	69	64
PN	ORDERING TEXT	RANGE	B	C	D	SW
DEMENSIONS (mm)						

THIS DRAWING IS A CONTROLLED DOCUMENT FOR TYCO ELECTRONICS CORPORATION IT IS SUBJECT TO CHANGE AND THE CONTROLLING ENGINEERING ORGANIZATION SHOULD BE CONTACTED FOR THE LATEST REVISION.

DIMENSIONS:	TOLERANCES UNLESS OTHERWISE SPECIFIED:
mm	n. ISO 8015 n. ISO 2768-mH-E DIN 16901-120
	0 PLC ± 1 PLC ± 2 PLC ± 3 PLC ± 4 PLC ± ANGLES ±
MATERIAL	FINISH

DWN	Schneider	08.02.01	Tyco Electronics AMP GmbH D-53819 Neunkirchen Germany		
CHK	Schweiger	08.02.01			
APVD	-	-	NAME		
PRODUCT SPEC	-		Gland Fitting		
APPLICATION SPEC	-		SIZE	CAGE CODE	DRAWING NO
WEIGHT	-		A3	00779	©=1106006
CUSTOMER DRAWING			RESTRICTED TO	-	
SCALE 1:1			SHEET 1 OF 1	REV A3	